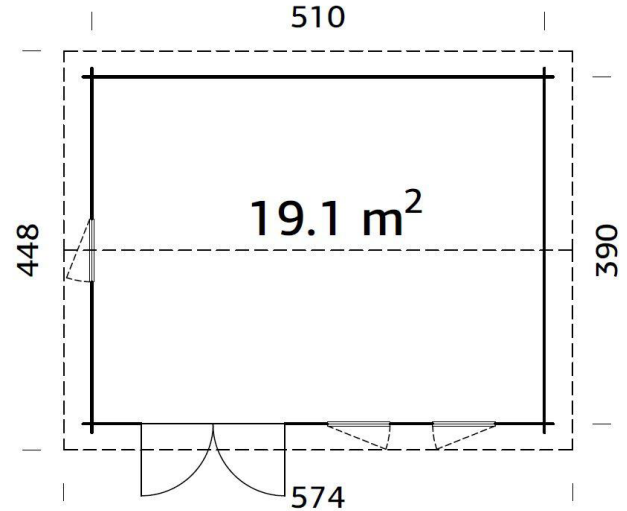


Jefferson



FULL SPECIFICATION

	Wall Thickness	44mm		Roof Board	19mm
	Wall Measurements	510 x 390cm		Floor Boards	19mm
	Log Measurements	530 x 410cm		Type Door/Window	Garden
	Wall Height	211cm		Double Real Glass 3-6-3	
	Total Height	262cm		Door, Opening Measurements	151 x 175cm
	Area	19.1m ²		Window, Opening Measurements	60 x 111cm
	Volume	45.2m ³		Pack Size	6 x 1.2 x 0.9m
	Roof Overhang	29cm		Pack Weight	1545kg
	Roof Area / Roof Gradient	26.2 ² / 15.1°			

FLEXIBLE FINANCE OPTIONS AVAILABLE

